

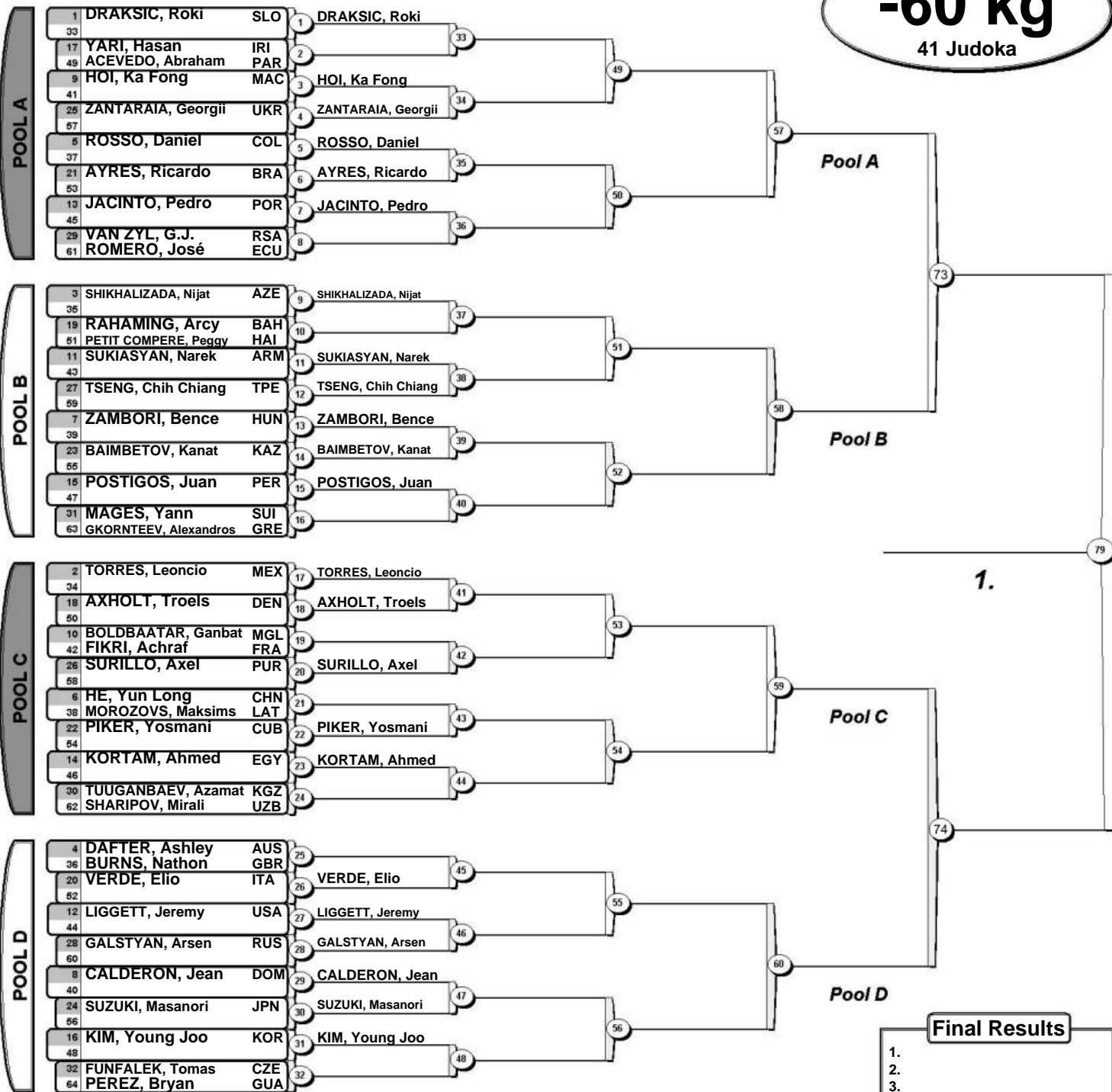


Junior World Championship 2006

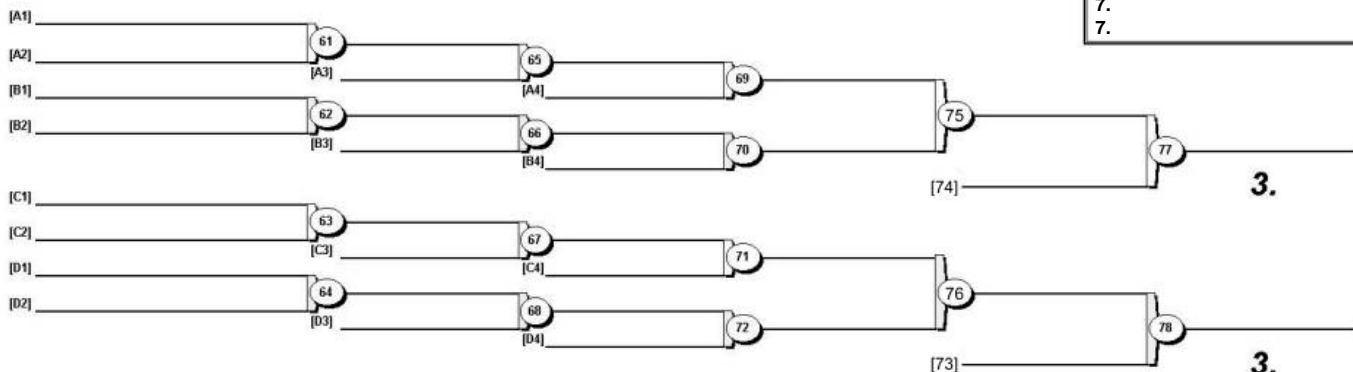
(DOM Santo Domingo, 12-15 October 2006)

-60 kg

41 Judoka



Repechage



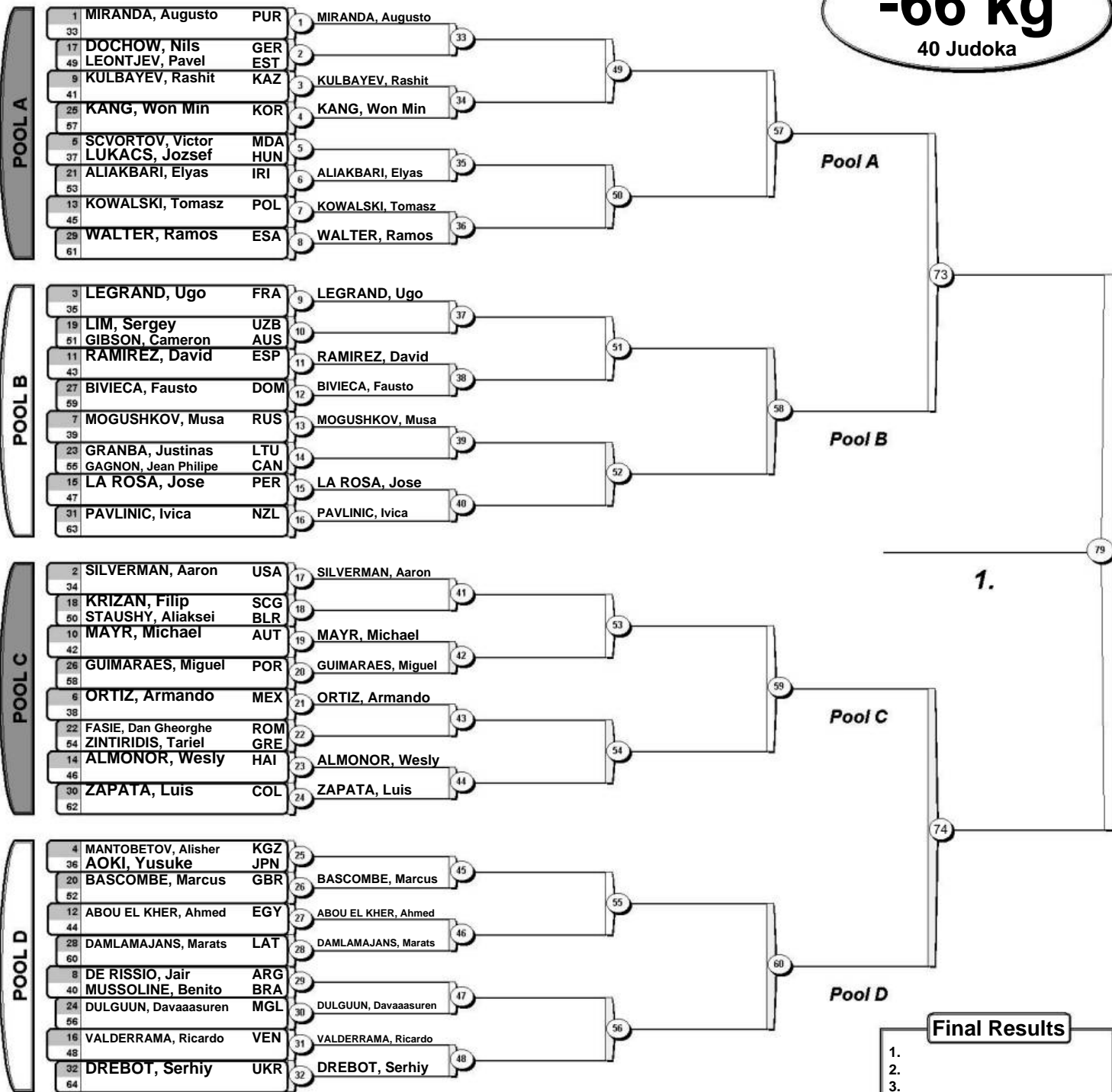


Junior World Championship 2006

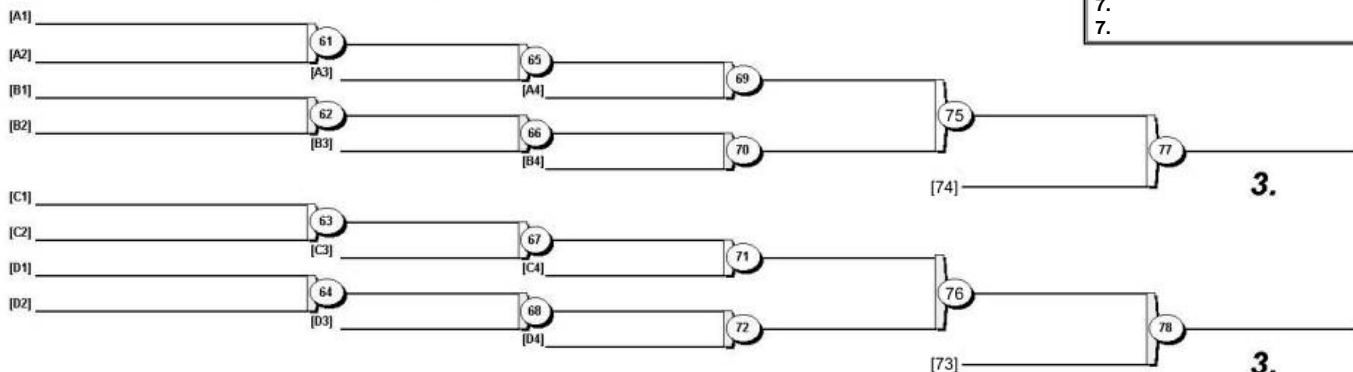
(DOM Santo Domingo, 12-15 October 2006)

-66 kg

40 Judoka



Repechage



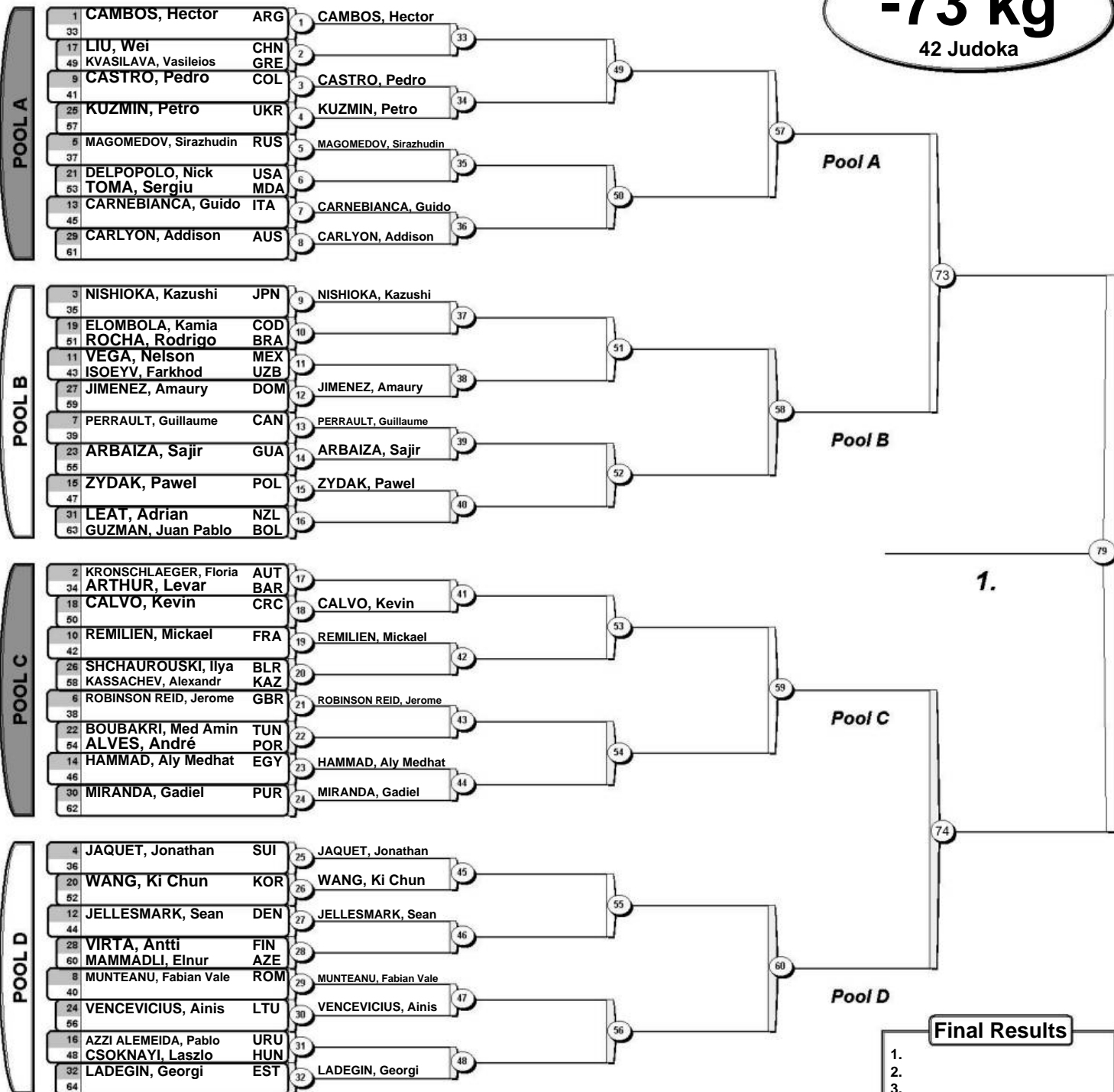


Junior World Championship 2006

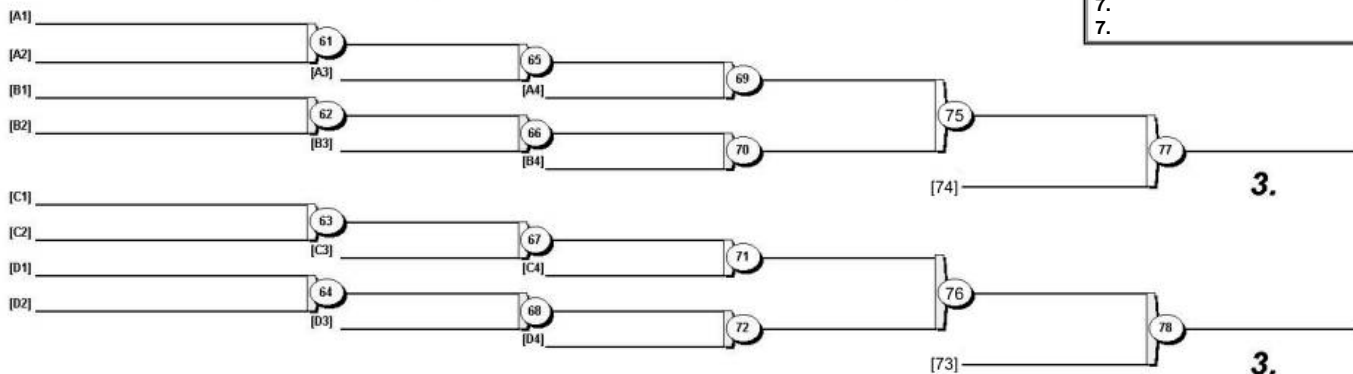
(DOM Santo Domingo, 12-15 October 2006)

-73 kg

42 Judoka



Repechage



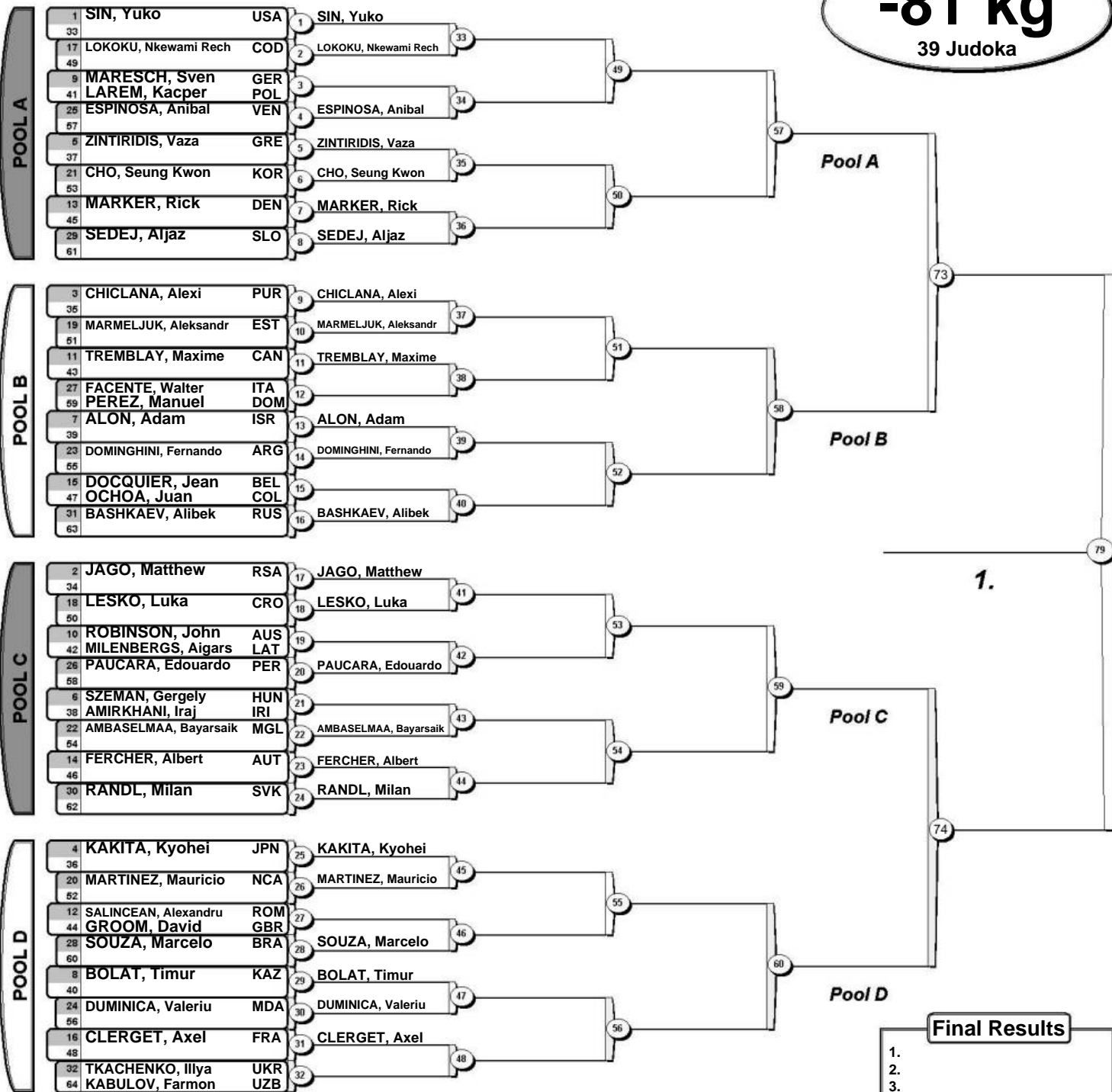


Junior World Championship 2006

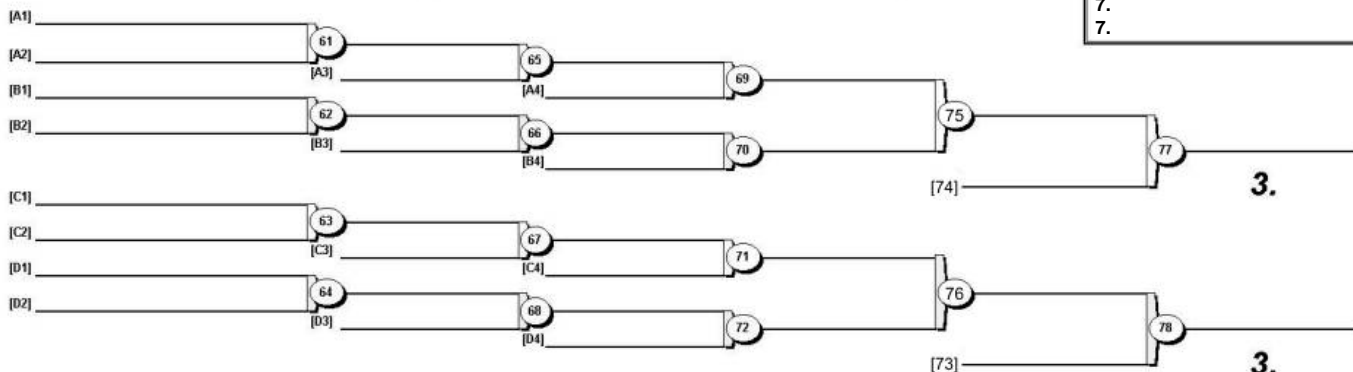
(DOM Santo Domingo, 12-15 October 2006)

-81 kg

39 Judoka



Repechage





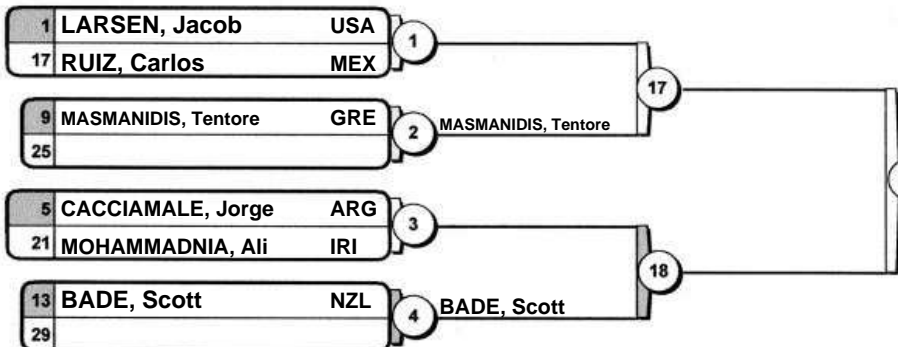
Junior World Championship 2006

(DOM Santo Domingo, 12-15 October 2006)

-90 kg

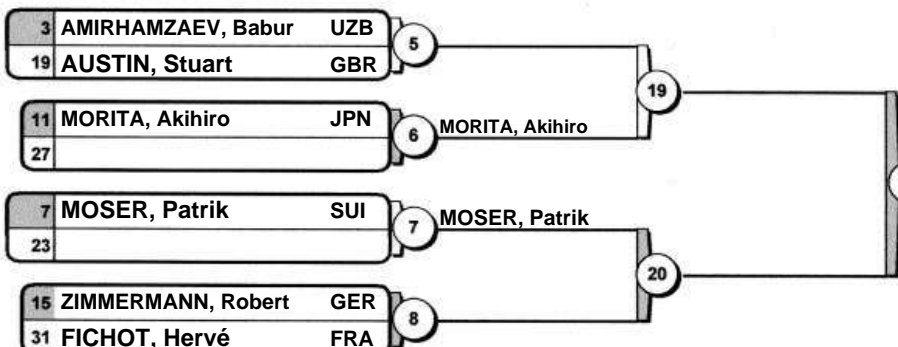
25 Judoka

POOL A



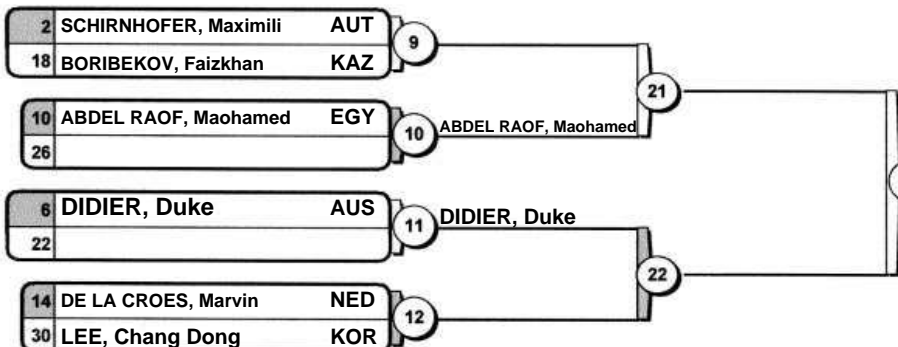
Pool A - Winner
Vainqueur / Sieger

POOL B



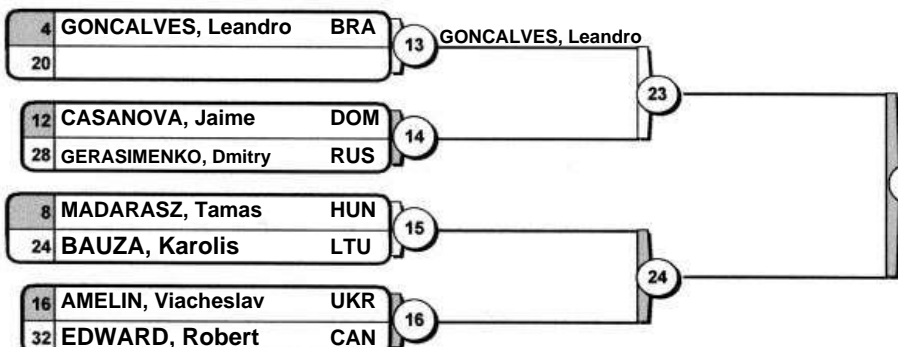
Pool B - Winner
Vainqueur / Sieger

POOL C



Pool C - Winner
Vainqueur / Sieger

POOL D



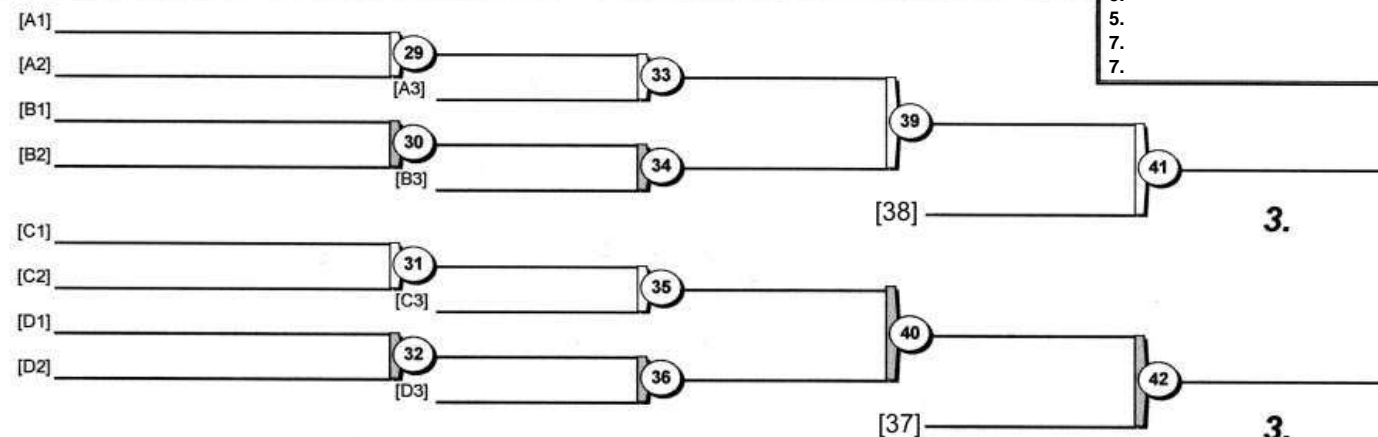
Pool D - Winner
Vainqueur / Sieger

1.

Results
Résultat / Platzierungen

- 1.
- 2.
- 3.
- 3.
- 5.
- 7.
- 7.

Repechage / Trostrunde



3.

3.



Junior World Championship 2006

(DOM Santo Domingo, 12-15 October 2006)

-100 kg

23 Judoka

POOL A

1	IVANOV, Genko	BUL	1	IVANOV, Genko
17	MARAZYKOV, Akramjan	KAZ	17	
9	SIN, Kyeong Seob	KOR	2	SIN, Kyeong Seob
25			25	
5	GARCIA, Sergio	MEX	3	
21	YAMAMOTO, Norihide	JPN	3	
13	BABAEV, Danil	KGZ	4	BABAEV, Danil
29			29	

Pool A - Winner
Vainqueur / Sieger

POOL B

3	HUGHES, Luke	GBR	5	
19	RENEV, Dmitriy	RUS	5	
11	SERPA, Pablo	ARG	6	SERPA, Pablo
27			27	
7	BRACIULIS, Alius	LTU	7	BRACIULIS, Alius
23			23	
15	MALLOY, Zane	USA	8	MALLOY, Zane
31			31	

Pool B - Winner
Vainqueur / Sieger

POOL C

2	OSNACH, Vladimir	LAT	9	
18	WANG, Qiang	CHN	9	
10	DEKKER, Thijs	NED	10	DEKKER, Thijs
26			26	
6	LIN, Yu Hao	TPE	11	LIN, Yu Hao
22			22	
14	ANDERWALD, Bartlomiej	POL	12	
30	JUHASZ, Adam	HUN	12	

Pool C - Winner
Vainqueur / Sieger

POOL D

4	HERBST, Denis	GER	13	HERBST, Denis
20			20	
12	TONOYAN, Razmik	UKR	14	
28	DIEK, Teofilo	DOM	14	
8	CAVALHERI, Gustavo	BRA	15	CAVALHERI, Gustavo
24			24	
16	MASCETTI, Alessio	ITA	16	
32	MARET, Cyrille	FRA	16	

Pool D - Winner
Vainqueur / Sieger

1.

Results
Résultat / Platzierungen

- 1.
- 2.
- 3.
- 3.
- 5.
- 7.
- 7.

Repechage / Trostrunde

[A1]					
[A2]		29		33	
[B1]			[A3]		
[B2]		30		34	
[B3]			[B3]		
[C1]					[38]
[C2]		31	HUGHES, Luke		
[D1]			[C3]	SERPA, Pablo	35
[D2]		32			40
[D3]			[D3]		36
					[37]

3.

3.



Junior World Championship 2006

(DOM Santo Domingo, 12-15 October 2006)

+100 kg

25 Judoka

POOL A

1	MATOS, Eddy	CUB
17	PAULINO, Ivan	DOM
9	VAKHAVIAK, Aliaksand	BLR
25		
5	STERKHOV, Dmitry	RUS
21		
13	SHIOSAKI, Aaron	USA
29	STUPAVSKY, Lukas	SVK

1	MATOS, Eddy	1010 / 0000	3:08
17	VAKHAVIAK, Aliaksand	0001 / 0010	-1:00
2	VAKHAVIAK, Aliaksand		
3	STERKHOV, Dmitry		
4	STUPAVSKY, Lukas	0000 / 1000	3:55
18	STERKHOV, Dmitry	1000 / 0000	0:35

25	STERKHOV, Dmitry	0001 / 0021	2:39
Pool A - Winner Vainqueur / Sieger			
37	BONDARENKO, Stanislav	0000 / 1000	1:11

POOL B

3	VAN EMDEN, Jeffrey	NED
19		
11	BIERAU, Tino	GER
27	JABALLAH, Faicel	TUN
7	HOSHINA, Tomohiko	PHI
23		
15	BONDARENKO, Stanislav	UKR
31	QING, Gele	CHN

5	VAN EMDEN, Jeffrey		
6	BIERAU, Tino	1000 / 0000	1:22
19	BIERAU, Tino	0000 / 1000	0:22
7	HOSHINA, Tomohiko		
8	BONDARENKO, Stanislav	1000 / 0000	2:33
20	BONDARENKO, Stanislav	0000 / 1001	1:40

26	BONDARENKO, Stanislav	0011 / 0100 s1	4:00
Pool B - Winner Vainqueur / Sieger			

POOL C

2	TURYSSOV, Alan	KAZ
18	KIM, Sung Min	KOR
10	PAVKOVIC, Jaksa	CRO
26	RINER, Teddy	FRA
6	JENUS, Mitja	SLO
22		
14	SPALDING, Theodor	GBR
30	ROMANO, Lorenzo	ITA

9	KIM, Sung Min	0001 / 1021	3:37
21	RINER, Teddy	0000 s1 / 0001	4:00
10	RINER, Teddy		
11	JENUS, Mitja		
12	ROMANO, Lorenzo	0000 s1 / 1011	2:19
22	JENUS, Mitja	1011 / 0000 s1	4:00

27	RINER, Teddy	1001 / 0000 s1	2:03
Pool C - Winner Vainqueur / Sieger			

POOL D

4	SALAZAR, Luis	COL
20		
12	ANDREWARTHA, Jake	AUS
28	ISHII, Ryuta	JPN
8	SILVA, Rafael	BRA
24	SIERRA, Jorge	PUR
16	SHIH, Wie Jen	TPE
32		

13	SALAZAR, Luis		
14	ISHII, Ryuta	0000 / 1000	0:32
23	ISHII, Ryuta	0000 / 1000	0:40
15	SILVA, Rafael	1000 / 0000	0:59
24	SILVA, Rafael	1010 / 0000	1:45

28	ISHII, Ryuta	0010 / 0000	4:00
Pool D - Winner Vainqueur / Sieger			

43	RINER, Teddy	0000 / 1000	1:39
----	--------------	-------------	------

1.

Results	
Résultat / Platzierungen	
1.	RINER, Teddy FRA
2.	BONDARENKO, Stanislav UKR
3.	BIERAU, Tino GER
4.	STERKHOV, Dmitry RUS
5.	ISHII, Ryuta JPN
6.	KIM, Sung Min KOR
7.	VAKHAVIAK, Aliaksand BLR
8.	SILVA, Rafael BRA

Repechage / Trostrunde

[A1]		
[A2]	STUPAVSKY, Lukas	SVK
[B1]	QING, Gele	CHN
[B2]	HOSHINA, Tomohiko	PHI
[C1]	PAVKOVIC, Jaksa	CRO
[C2]	KIM, Sung Min	KOR
[D1]	ANDREWARTHA, Jake	AUS
[D2]	SALAZAR, Luis	COL

29	STUPAVSKY, Lukas		
30	QING, Gele	0111 / 0100	4:00
31	KIM, Sung Min	0000 / 1100	1:16
32	SALAZAR, Luis	0000 / 1110	1:46
33	VAKHAVIAK, Aliaksand	0000 s1 / 0001	1:04
34	BIERAU, Tino	0000 s1 / 0002	4:00
35	KIM, Sung Min	1001 / 0000 s1	1:52
36	SILVA, Rafael	0000 s2 / 1010	3:10

39	BIERAU, Tino	0000 / 0110	4:00
40	KIM, Sung Min	0200 / 0000	0:59
41	BIERAU, Tino	1000 / 0000	0:00
42	STERKHOV, Dmitry	0010 / 1020	2:54

3.

3.