

2008 NEW YORK OPEN Judo Championships
March 9, 2008

60 KG

- 1st. KRECIELEWSKI, Marek - POL
- 2nd. WILLIAMS-MURRAY, Taraje - USA
- 3rd. ROMERO, Jose - ECU
- 3rd. PESSOA, Sergio - CAN
- 5th. FUJIMOTO, Jeff - USA
- 5th. MOSCOSO, Rafael - USA

66 KG

- 1st. POPIEL, Michal - CAN
- 2nd. GRANGIER, Gregory - FRA
- 3rd. ZIETLER, Gerhard - GER
- 3rd. LIGGETT, Jeremy - USA
- 5th. FLORES, Justin - USA
- 5th. TORRA, Nate - USA

73 KG

- 1st. LETTNER, Toni - GER
- 2nd. OLEJNIC, Vladimir - POR
- 3rd. TRITTON, Nick - CAN
- 3rd. ELDRER, Michael - USA
- 5th. JEFFERSON, Chuck - USA
- 5th. VALLEJO, Edwin - COL

81 KG

- 1st. INABA, Shota - JPN * *OUTSTANDING PLAYER AWARD WINNER*
- 2nd. KACHUR, Kalem - CAN
- 3rd. STEVENS, Travis - USA
- 3rd. BILODID, Genadiy - UKR
- 5th. VALOIS-FORTIER, Antoine - CAN
- 5th. REED, Thomas - GBR

90 KG

- 1st. PESSANHA, Hugo - BRA
- 2nd. BACHMANN, Bjorn - GER
- 3rd. SHIMUTA, Takenori - JPN
- 3rd. EDWARD, Robert - CAN
- 5th. LARSON, Jacob - USA
- 5th. AMBOUROUE, Landry - USA

100 KG

- 1st. CORREA, Luciano - BRA
- 2nd. LEITE, Leonardo - BRA
- 3rd. POTARD, Sylvain - FRA
- 3rd. MORGAN, Keith - CAN
- 5th. COSTA, Eduardo - ARG
- 5th. AOUIDATE, Sidi - FRA

100+ KG

- 1st. SCHLITTLER, Joao - BRA
- 2nd. BRUTUS, Joel - HAI
- 3rd. OHKAWA, Yasutaka - JPN
- 3rd. TURNER, Anthony - USA
- 5th. McCORMICK, Daniel - USA
- 5th. GRAMS, Eduard - GER

MAT 2

NEW YORK OPEN 2008
New York Athletic Club, New York City

60 KG

3/9/2208

PAGE 1 OF 3 POOL A SHEET

Jawam, Awal Ladasua
United States

Place Winners

1
Romero-Canadao,
Jose
9 Ecuador

Romero-Canadao

- 60 KG
- 1st. KRECIELEWSKI, Marek - POL
 - 2nd. WILLIAMS-MURRAY, Taraje - USA
 - 3rd. ROMERO, Jose - ECU
 - 3rd. PESSOA, Sergio - CAN
 - 5th. FUJIMOTO, Jeff - USA
 - 5th. MOSCOSO, Rafael - USA

5
Kunihiro, Aaron
United States

8 A1
Pessoa, Sergio
CAN

2
Pessoa, Sergio
Canada
13

PESSOA, SERGIO

3
Bolen, Brad
United States

Pool A
16
Krecielewski

3
Krecielewski, Marek
Poland
11

KRECIELEWSKI

7
Kossor, Nick
United States

9 A2
Krecielewski

4
Gagnon, Maxime
Canada
15

GAGNON, MAXIME

23
KRECIELEWSKI MAREK
First Place POLAND

Round 1 (R1)

Round 2 (R2)
Quarter-Final

Round 3 (R3)
Semi-Final

Round 4 (R4)
Final

Place Pool B Sheet Below

2008 NEW YORK OPEN

PAGE 2 OF 3 POOL B SHEET

Place Pool A Sheet above.

60 KG

Sato, Jeff
United States

2

5
Bretton Leduc, Charles
Canada
10

SATO

10 B1
11

Fujimoto

Fujimoto, Jeff
United States
6

6
Moscoso, Rafael
United States
14

Fujimoto

Jalilzade, Zaur
United States
4

Pool B
7 18

Williams - Murray
USA

7
Zamotina, Serguei
Canada
12

Jalilzade

Williams-Murray,
Taraje
United States
8

11
B2 Williams - Murray
12

Williams - Murray

BYE

16

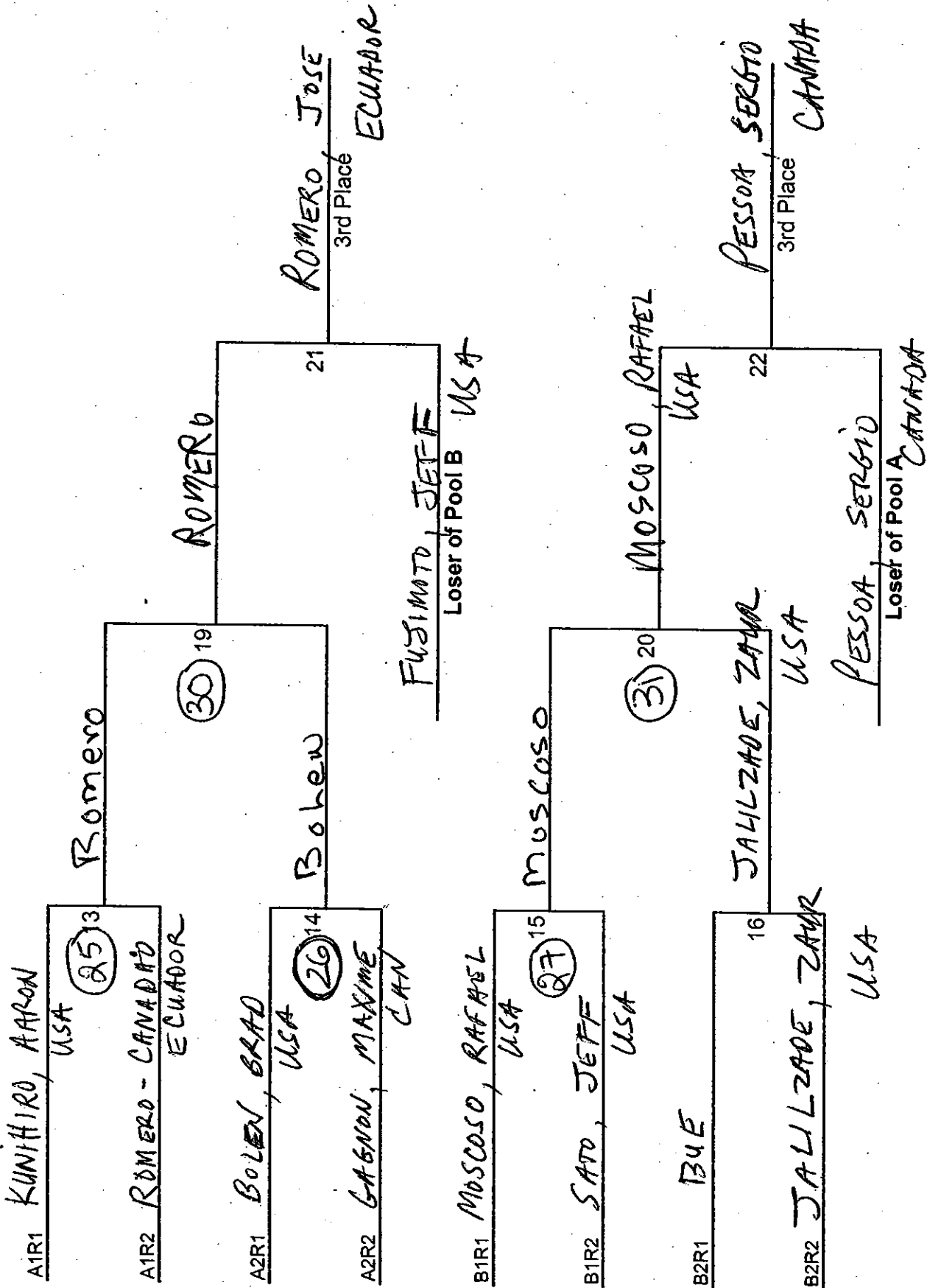
Round 1 (R1)

Round 2 (R2)
Quarter-Final

Round 3 (R3)
Semi-Final

Round 4 (R4)
Final

60 KG



MAT 2

2008 NEW YORK OPEN
New York Athletic Club, New York City

3/9/2008

PAGE 1 OF 5 POOL A1 SHEET

Place Winners

- 66 KG
- 1st. POPIEL, Michal - CAN
- 2nd. GRANGIER, Gregory - FRA
- 3rd. ZIETLER, Gerhard - GER
- 3rd. LIGGETT, Jeremy - USA
- 5th. FLORES, Justin - USA
- 5th. TORRA, Nate - USA

66

Tremblay-Sabourin,
Patrick
Canada

17
Zeitler, Gerhard
Germany

9
Simerly, Shane
United States

25
BYE

5
Belgaid, Hamza
Morocco

21
Nishimura, Toshiya
United States

13
Liggett, Jeremy
United States

29
BYE

ZEITLER, GERHARD

17
Zeitler

2
Simerly

25
A1
52

3
BELGAIID HAMZA

18
45
Liggett

4
Liggett

ZEITLER

37
60
POOL A

GRANGIER, GREGORY
FRA

Round 1 (R1)

Round 2 (R2)

Round 3 (R3)
Quarter-Final

Round 4 (R4)
Semi-Final

Round 5 (R5)
Final

A1

NEW YORK OPEN 2008

PAGE 2 OF 5 POOL A2 SHEET

Grangier, Gregory
France

3

37 5
Yoshino, Kenji
United States
19

46 19
Grangier

Lancot, Francois-
Olivier
Canada
11

6
Lancot
BYE
27

GRANBIER, GREGORY

A2 26
53

Motoda, Scott
United States
7

38 7
L. Masse, Olivier
Canada
23

47 20
Hashimoto

Hashimoto, Kenneth
United States
15

8
BYE
31

A2

POPIEL, MICHAL
First Place CAN

43

Place Pool A1
Sheet above.

Round 1 (R1)
Round 2 (R2)
Round 3 (R3)
Round 4 (R4)
Round 5 (R5)

Quarter-Final

Semi-Final

Final

Place Pool A2 Sheet above.

B1

66



Valdez, Travis
United States

2

Popiel, Michal
Canada

18

O'Neil, Joshua
United States

10

BYE

26

Koch, Cristiano
United States

6

Novoa, Felipe
Chile

22

Torra, Nate
United States

14

BYE

30

(41) 9

Popiel

(A8) 21

Popiel, Michal
CAN

10 O'Neil

B1

(5A) 27

Popiel, Michal
CAN

(42) 11

Novoa

(A9) 22

TORRA, NATE
USA

POOL B

(C1) 38

Popiel, Michal
CAN

12 Torra

Round 1 (R1)

Round 2 (R2)

Round 3 (R3)
Quarter-Final

Round 4 (R4)
Semi-Final

Round 5 (R5)
Final

Sofield, Shannon
United States

Place Pool B1 Sheet above.

4

13 Sofield
BYE

20 Benoit, Joel
Canada

14 Benoit
BYE

8 Grandjean, Pierre
Canada

24 Liebl, Dominik
Germany

16 Flores, Justin
United States

32 BYE

50²³
Sofield

Benoit, Joel
CAN

B2
55²⁸

Flores, Justin
USA

43¹⁵
Liebl, Dominik
GER

51²⁴
Flores, Justin
USA

B2

Round 1 (R1)

Round 2 (R2)

Round 3 (R3)
Quarter-Final

Round 4 (R4)
Semi-Final

Round 5 (R5)
Final

MAT 2

2008 NEW YORK OPEN

PAGE 5 OF 5 REPECHAGE

R

A1R1 TREMBLAY, SABOURIN
CAN

(50) 29
A1R2 SIMERLY, SHANE
USA

TREMBLAY
(68) 33
A1R3 LIGGETT, JEREMY
USA

LIGGETT, TEREY
USA

A2R1 YOSHINO, KENJI
USA

(57) 30
LANCOT, F.
CAN

(80) 39
LIGGETT
USA

LIGGETT, JEREMY
3rd Place
USA

A2R2
(69) 34
CAN

HASHIMOTO, KENNETH
USA
FLORES, JUSTIN
Loser of Pool B
USA

A2R3

B1R1 VALDEZ, TRAVIS
USA

(58) 31
O'NEIL, JOSHUA
USA

HASHIMOTO, KENNETH
USA

VALDEZ, TRAVIS
USA

(70) 35
TORRA, NATE
USA

TORRA, NATE
USA

B2R1 BYE

(59) 32
LIEBL, DOMINIK
GER

LIEBL, DOMINIK
GER

(71) 36
BENDIT, JOEL
CAN

(81) 40
TORRA, NATE
USA

ZEITLER, BERARD
3rd Place
GER

LIEBL, DOMINIK
GER
ZEITLER, BERARD
Loser of Pool A
GERMANY

GERMANY

NEW YORK OPEN 2008

73 KG

PAGE 2 OF 5 POOL A2 SHEET

Santos, Daniel
United States

3

(21) 6

Lettner

Lettner, Toni
Germany

19

(35) 9

Lettner

Aubin-Mercier, Olivier
Canada

11

6 Aubin-Mercier

BYE

27

A2

Lettner

Riad, Mohamed
France

7

(46) 26

(22) 7

Riad

Alan, Leonardo
United States

23

Jefferson

(36) 20

Jefferson, Chuck
United States

15

8 Jefferson

BYE

31

Round 1 (R1)

Round 2 (R2)

Round 3 (R3)
Quarter-Final

Round 4 (R4)
Semi-Final

Round 5 (R5)
Final

A2

LETNTER, Toni
First Place
GERMANY

43

Place Pool A1
Sheet above.

NEW YORK OPEN 2008

73 KG

PAGE 3 OF 5 POOL B1 SHEET

Silverman, AJ
United States

2

23⁹
Hagen, Sean
Canada
18

SILVERMAN

10

Cohen, Rick
United States

10

AJ
COHEN

37²¹

10
cohen

BYE

26

Oleinic, Vladimir
Portugal

6

B1
47²⁷

Oleinic

Penalber, Victor
Brazil

22

24¹¹
oleinic

Lee, Bobby
United States

14

OLEINIC

38²²

12
lee

BYE

30

POOL B

Oleinic

52³⁸

B1

Place Pool A2
Sheet above.

Round 1 (R1)

Round 2 (R2)

Round 3 (R3)
Quarter-Final

Round 4 (R4)
Semi-Final

Round 5 (R5)
Final

NEW YORK OPEN 2008

73 KG

PAGE 4 OF 5 POOL B2 SHEET

Place Pool B1 Sheet above.

4 Depre, Josue
Haiti

25¹³

Tritton
Canada

20

39²³

12 Basriev, Ali
United States

Tritton

14

Basriev

28 BYE

B2

Tritton

8

Novoa, Eduardo
Chile

48²⁸

26¹⁵

Krecielewski
Poland

24

Eldred, Michael
United States

40²⁴

Eldred

16

BYE

16

Eldred

32 BYE

Round 1 (R1)

Round 2 (R2)

Round 3 (R3)
Quarter-Final

Round 4 (R4)
Semi-Final

Round 5 (R5)
Final

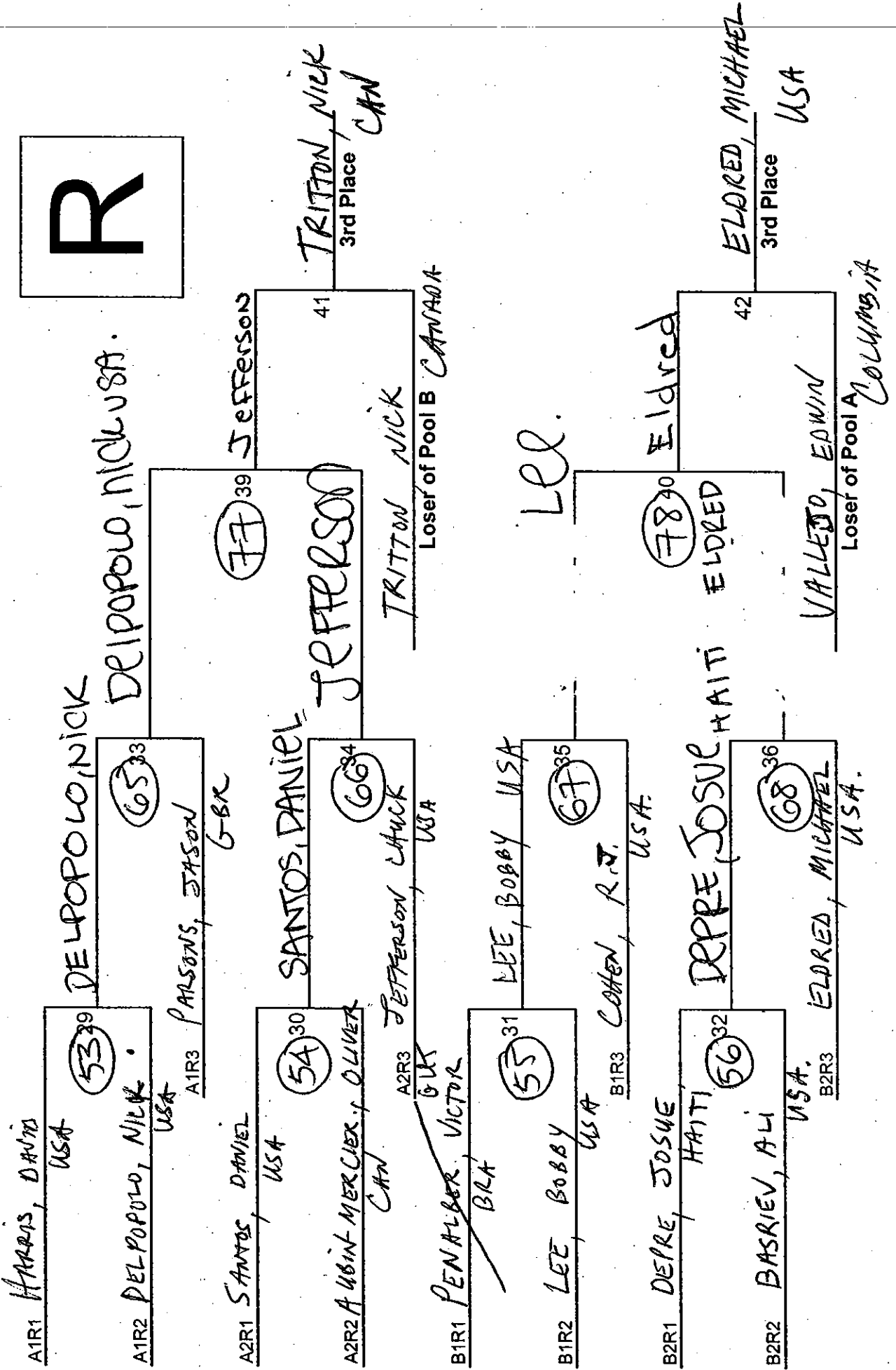
B2

MATI

2008 NEW YORK OPEN

73 KG

PAGE 5 OF 5 REPECHAGE



MAT 1

2008 NEW YORK OPEN
New York Athletic Club, New York City

3/9/2008

PAGE 1 OF 5 POOL A1 SHEET

Place Winners

- 81 KG
- 1st. INABA, Shota - JPN
 - 2nd. KACHUR, Kalem - CAN
 - 3rd. STEVENS, Travis - USA
 - 3rd. BILODID, Genadiy - UKR
 - 5th. VALOIS-FORTIER, Antoine - CAN
 - 5th. REED, Thomas - GBR

A1

57¹ Schneider, Jonathan
FRANCE

69⁷ Schneider, J.
USA

2 Ross, MacBaisey
USA

A1 Valois-Fortier
79²⁵

58³ Valois-Fortier, Antoine
CANADA

70⁸ VALOIS-FORTIER
CAN

4 ST Leger, HARRY
USA

POOL A
87³⁷
Kachur, Kalem
CAN

Round 5 (R5)
Final

Round 4 (R4)
Semi-Final

Round 3 (R3)
Quarter-Final

Round 2 (R2)

Round 1 (R1)

Schneider, Jonathan
France

Sanchez, Eric
United States

MacBaisey, Ross
United States

BYE

Valois-Fortier, Antoine
Canada

Sangimino, Tony
United States

St. Leger, Harry
United States

BYE

NEW YORK OPEN 2008

PAGE 2 OF 5 POOL A2 SHEET

Place Pool A1 Sheet above.

Wright, Ian
United States

3

59
Kachur, Kalem
Canada

19

71
Kachur, Kalem
CANADA

Vennitti, Anthony
United States

11

6
Vennitti
Anthony
USA

6

BYE

27

A2
80
Kachur
KALEM
CAN

Reed, Thomas
United Kingdom

7

60
Reed, Thomas

Alhassan, Abdul Razak
United States

23

72
Reed, Thomas
GBR

Cohen, Aaron
United States

15

8
Cohen

BYE

31

A2

43
SHTO, INABA
First Place
JAPAN

Round 2 (R2) Round 3 (R3) Round 4 (R4) Round 5 (R5)
Quarter-Final Semi-Final Final

Place Pool A2 Sheet above.

B1

2
Schuler, Ian
United States
①9
Perrault, Guillaume
Canada

18
Bencosme, Jose
United States
10
Benscome

26
BYE

6
Round, Chris
United States

22
Bilodid, Genadiy
Ukraine
②1
Bilodid, GENADY
UKR

14
Hung, Andy
United States
12
Hung
us

30
BYE

⑦3 21
Perrault, Guillaume
CAN

⑧1 27
Bilodid, GENADY
UKR

⑧8 38
SAGATA
JAPAN

POOL B

Round 5 (R5)
Final

Round 4 (R4)
Semi-Final

Round 3 (R3)
Quarter-Final

Round 2 (R2)

Round 1 (R1)

NEW YORK OPEN 2008

PAGE 4 OF 5 POOL B2 SHEET

Place Pool B1 Sheet above.

Fernandez, Jonathan
United States
4

(63)13
Aulich, Sebastian
Portugal POLAND
20

Burns, Colin
United States
12

14
BYE
28

Shota, Inaba
Japan
8

(64)15
Turnquest, Robert
United States
24

Stevens, Travis
United States
16

16
BYE
32

Aulich, Sebastian
USA

(75)23
Aulich, Sebastian
POL

(82)28
Shota, Inaba
JPN

Shota, Inaba

(76)24
Shota, Inaba

B2

Round 1 (R1)

Round 2 (R2)

Round 3 (R3)
Quarter-Final

Round 4 (R4)
Semi-Final

Round 5 (R5)
Final

R

A1R1 SANTIAGO, TONY
USA

83²⁹

STIEGER, H

A1R2 SA, LEBER, HARLEY
USA

89³³

STIEGER

A1R3 SCHNEIDER, JONATHAN
FRN

93³⁹

Reed

A2R1
USA

84³⁰

Vennitti

A2R2 VENNITTI, ANTHONY
USA

90³⁴

Reed

A2R3 REED, THOMAS
GBR

BILODID, GENADIY

Loser of Pool B

B1R1 ROUND, CHRIS
USA

85³¹

HUNG

B1R2 HUNG, ANDY
USA

91³⁵

Perrault

B1R3 PERRAULT, GUILLAUME
USA

B2R1 TURNQUEST, ROBERT
USA

86³²

STEVENS

B2R2 STEVENS, TRAVIS
USA

92³⁶

AVALICH, SEBASTIAN
POL

VALDIS-FORTIER, ANTOINE
CAN

Loser of Pool A

Reed
GBR

41

BILODID, GENADIY
3rd Place
UKR

UKR

STEVENS

42

STEVENS, TRAVIS
3rd Place
USA

CAN

Mat 2

2008 NEW YORK OPEN
New York Athletic Club, New York City

3/9/2008

90 KG

1 Tworzydło, Wiktor
Poland

17 Shimuta, Takemori
Japan

6 Maratos, Alex
United States

25 BYE

5 Jaskiewicz, Frederick
Canada

21 Voicu, Philip
United States

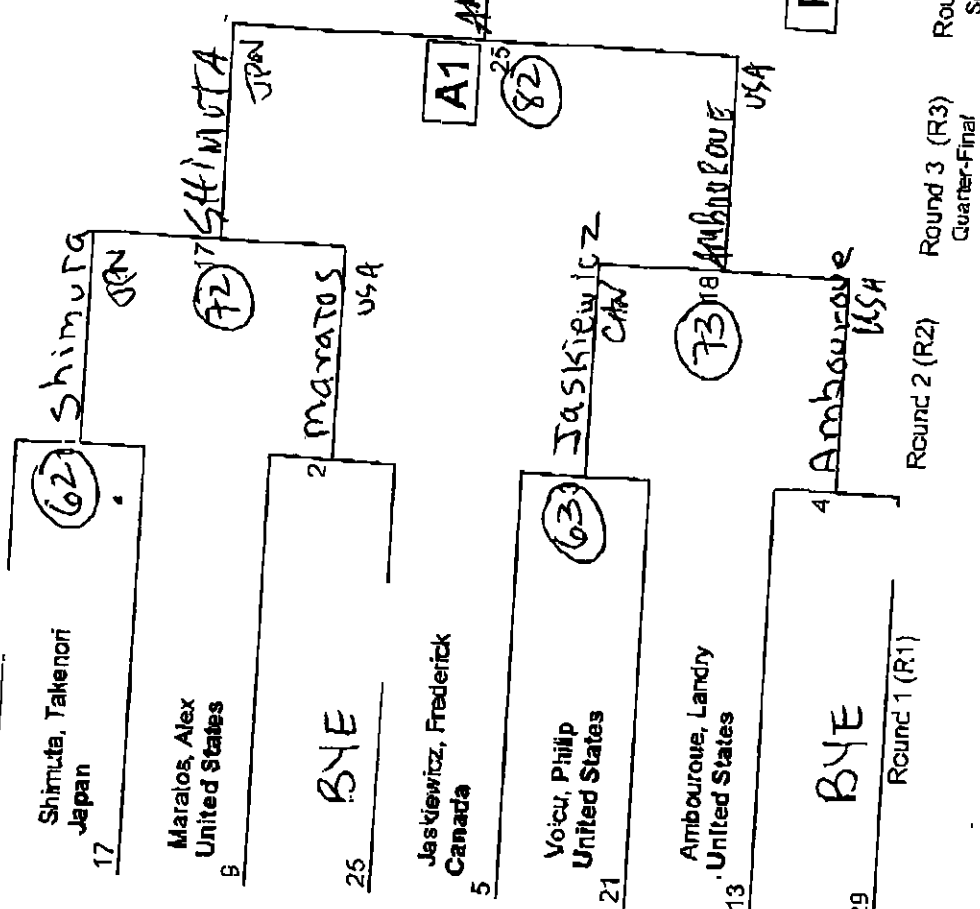
13 Ambourou, Landry
United States

29 BYE

PAGE 1 OF 5 POOL A1 SHEET

Place Winners

- 90 KG
1st PESSANHA, Hugo - BRA
2nd BACHMANN, Bjorn - GER
3rd SHIMUTA, Takemori - JPN
3rd EDWARD, Robert - CAN
5th LARSEN, Jacob - USA
5th AMBOUROU, Landry - USA



A1

Pool A BACHMANN

BOERN
GERMANY
Round 5 (R5)
Final

Round 4 (R4)
Semi-Final

Round 3 (R3)
Quarter-Final

Round 2 (R2)

Round 1 (R1)

NEW YORK OPEN 2008

PAGE 2 OF 5 POOL A2 SHEET

90 KG

Bachmann, Bjorn
Germany

3

BYE

19

Bachmann
GER

Sin, Yu-Ko
United States

11

BYE

27

SIN
USA

Finnegan, Shea
United States

7

Londreau, Widerson
Haiti

23

Londreau
HAI

St. Leger, Gary
United States

15

BYE

31

St Leger
USA

A2
83

3

ST LEGER, GARY
USA

7A19
BACHMANN, BJORN
GER

BACHMANN, BJORN
GER

A2

Round 1 (R1)
Round 2 (R2)
Round 3 (R3) Quarter-Final
Round 4 (R4) Semi-Final
Round 5 (R5) Final

Place Pool A1
Sheet above.

43
PESSENTHA, HUGO
First Place
BRAZIL

NEW YORK OPEN 2008

90 KG

PAGE 3 OF 5 POOL B1 SHEET

Blanchard, Florent
France
2

Fayzakov, Steven
United States
18

Duus, Erik
United States
10

BYE
26

Leriche, Balnazar
Canada
6

Adrian-Ciprian, Popa
Romania
22

Larsen, Jacob
United States
14

BYE
30

FAYZAKOV, FLORENT
USA

FAYZAKOV
USA

DUUS
USA

Leriche
CAN

Larsen
USA

B1

B1

LARSON, JACOB
USA

POOL B

PESSANHA, Hugo
BRA

Place Pool A2
Sheet above.

Round 1 (R1)

Round 2 (R2)

Round 3 (R3)
Quarter-Final

Round 4 (R4)
Semi-Final

Round 5 (R5)
Final

91

38

NEW YORK OPEN 2008

PAGE 4 OF 5 POOL B2 SHEET

Place Pool B1 Sheet above.

90 KG

Karagiannis, Torazo
United States
4

20 BYE

13 Karagiannis
USA

Pessanha, Hugo
Brazil
12

78²³ PESSANHA
BRA

28 BYE

14 Pessanha
BRA

Edward, Robert
Canada
8

B2 85²⁸

PESSANHA, Hugo
BRA

24 St. John, Daniel
United States
67¹⁵

Edward
CAN

Hawn, Rick
United States
16

79²⁴ EDWARD
CAN

32 BYE

16 HAWN
USA

B2

Round 1 (R1)

Round 2 (R2)

Round 3 (R3)
Quarter-Final

Round 4 (R4)
Semi-Final

Round 5 (R5)
Final

mat 2

2008 NEW YORK OPEN

PAGE 5 OF 5 REPECHAGE

90 KG

A1R1 BYE

A1R2 ⁽⁸⁶⁾29 JASKIEWICZ CAN
 JASKIEWICZ, FREDERICK CAN
 CANADA

A2R3 SHIMUTA, TAKENORI JPN
 SHIMUTA, TAKENORI
 JAPAN

A2R2 ⁽⁸⁷⁾30 SIN, YU-KO USA.
 SIN, YU-KO USA.

A2R3 ⁽⁹²⁾34 ST. LEGER, GATREY USA
 ST. LEGER, GATREY USA

B1R1 BYE

B1R2 ⁽⁸⁸⁾31 LERICHE, BALTHAZAR CANADA
 LERICHE (CAN)

B1R3 ⁽⁹³⁾35 FAYZAKOV, SEREN USA
 FAYZAKOV, SEREN USA

B2R1 BYE

B2R2 ⁽⁸⁹⁾32 KARAGIANNIS USA
 KARAGIANNIS (USA)

B2R3 ⁽⁹⁴⁾36 EDWARDS, ROBERT CAN
 EDWARDS, ROBERT CAN

R

⁽⁹⁵⁾39 SHIMUTA, TAKENORI JPN
 SHIMUTA, TAKENORI
 3rd Place JAPAN

⁽⁹⁶⁾40 ST. LEGER, GATREY USA
 LARSON, JACOB USA
 Loser of Pool B USA

⁽⁹⁷⁾41 EDWARDS, ROBERT CAN
 EDWARDS, ROBERT
 3rd Place CANADA

⁽⁹⁸⁾42 AMBOURQUE, LAMORY USA
 AMBOURQUE, LAMORY
 Loser of Pool A USA

MATI

2008 NEW YORK OPEN
New York Athletic Club, New York City

3/9/2008

100 KG

Gerzer, Dominik
Germany

1

Edward, Scott
Canada

17

Aceto, Joseph
United States

9

BYE

25

Aouidate, Sidi
Mohamed
France

5

Costa, Eduardo
Argentina

21

Vashkulat, Kyle
United States

13

BYE

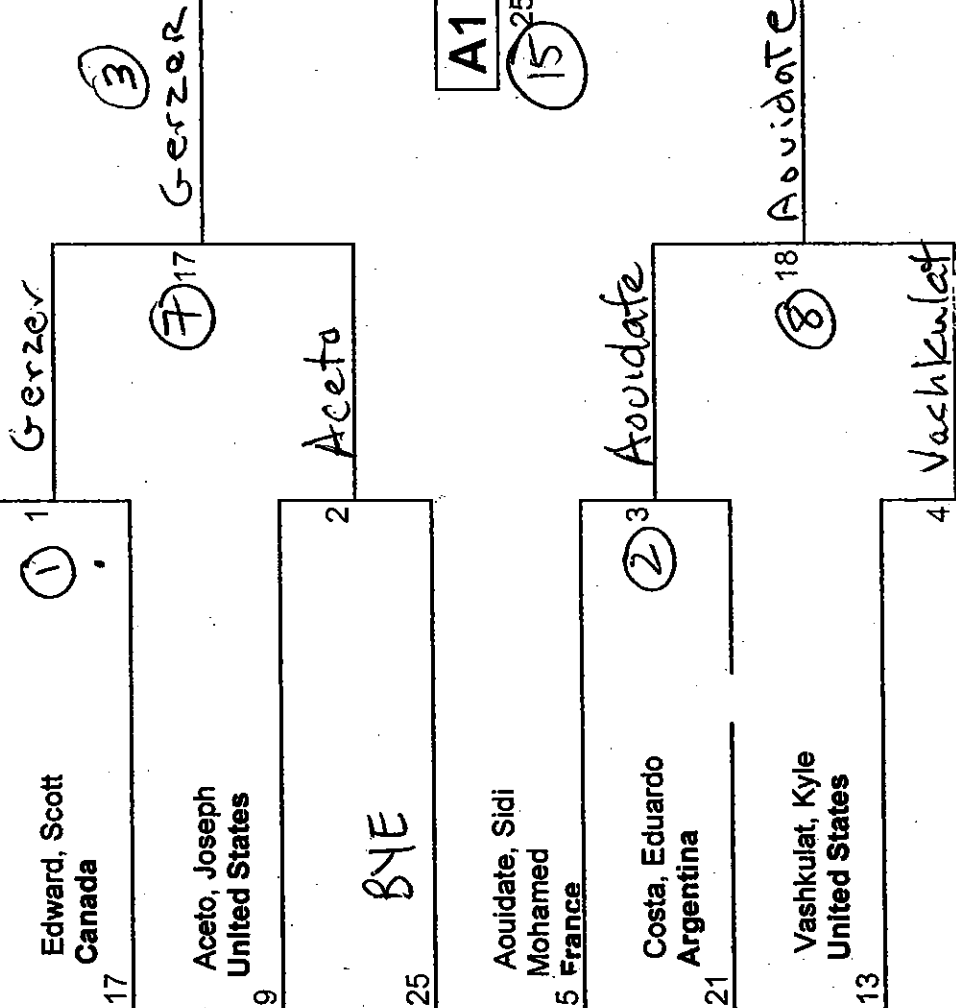
29

PAGE 1 OF 5 POOL A1 SHEET

Place Winners

100 KG

- 1st. CORREA, Luciano - BRA
- 2nd. LEITE, Leonardo - BRA
- 3rd. POTARD, Sylvain - FRA
- 3rd. MORGAN, Keith - CAN
- 5th. COSTA, Eduardo - ARG
- 5th. AOUIDATE, Sidi - FRA



A1

heite, LEONARDO
BRA

POOL A
27 37

Round 5 (R5)
Final

Round 4 (R4)
Semi-Final

Round 3 (R3)
Quarter-Final

Round 2 (R2)

Round 1 (R1)

NEW YORK OPEN 2008

PAGE 2 OF 5 POOL A2 SHEET

100 KG

Leite, Leonardo
Brazil

3

5
BYE

Leite

19

11
O'Hara, Damian
United States

Leite

9

27
BYE

O'hara

7

Pissimmissis, George
United States

A2

16

26

Leite

23
Sarnacki, Maciej
Poland

37

SARNACKI, MACIEJ

7

Mikolajczak, Darius
United States

Sarnacki

10

20

31
BYE

mikolajczak

Round 1 (R1)

Round 2 (R2)

Round 3 (R3)
Quarter-Final

Round 4 (R4)
Semi-Final

Round 5 (R5)
Final

A2

Place Pool A1
Sheet above.

43

CORREA LUCIANO

First Place

BRAZIL

NEW YORK OPEN 2008

100 KG

PAGE 3 OF 5 POOL B1 SHEET

Friedberg, Barry
United States

2

Correa, Luciano
Brazil

18

Capo, Rene
United States

10

BYE

26

Morgan, Keith
Canada

6

Maeda, Katsuyoshi
Japan

22

Jean-Baptiste, Victor
United States

14

BYE

30

B1

Correa

(4) 9

(11) 21

Correa

CAPO

10

B1

(17) 27

Correa

MORGAN, KEITH

(5) 11

(12) 22

Morgan

POOL B

(28) 38

Correa, Luciano

BRA

Round 1 (R1)

Round 2 (R2)

Round 3 (R3)
Quarter-Final

Round 4 (R4)
Semi-Final

Round 5 (R5)
Final

Place Pool A2
Sheet above.

NEW YORK OPEN 2008

PAGE 4 OF 5 POOL B2 SHEET

Place Pool B1 Sheet above.

100 KG

Oberndorfer, Martin
Germany

4

13
BYE

Oberndorfer

20

13²³ Potard

Potard, Sylvain
France

12

14
BYE

Potard

28

B2 Potard

Aliev, Djamaidin
United States

8

18²⁸

15
ALIEV

ALIEV

Goulet, Andrew
Canada

24

14²⁴ Aliev

Higashi, Shintaro
United States

16

16
BYE

Higashi

32

Round 1 (R1)

Round 2 (R2)

Round 3 (R3)
Quarter-Final

Round 4 (R4)
Semi-Final

Round 5 (R5)
Final

B2

mat 1

2008 NEW YORK OPEN

PAGE 5 OF 5 REPECHAGE

100 KG

A1R1 COSTA, EDUARDO
ARG

(29)²⁹

A1R2 VASHKIN/LAT, KYALE
USA

COSTA

(41)³³

A1R3 GERZER, DOMINIK
GER

COSTA

~~CHARY DAMIAN~~
INJURY

(49)³⁹ COSTA

BYE

(30)³⁰

A2R2 CHARY DAMIAN
USA

(42)³⁴
SARNACKI, MACIEJ
POL

SARNACKI, MACIEJ
POLAND

POTARD SYLVAIN
FRANCE

41

POTARD SYLVAIN
3rd Place
FRANCE

B1R1 FRIEDBERG, BARRY
USA

(31)³¹

B1R2 CAPO, RENE
USA

CAPO

(43)³⁵
MORGAN, KEITH
CAN

MORGAN

BYE

(32)³²

B2R2 OBERNDORFER, MARTIN
GER

OBERNDORFER, MARTIN

(44)³⁶
ALIEV, DJA MARDIN
USA

ALIEV

(50)⁴⁰ MORGAN

MORGAN KEITH
3rd Place
CANADA

ALOUIDATE, SIAI MOUTAMED
FRANCE

Loser of Pool A
FRANCE

R

2008 NEW YORK OPEN

PAGE 2 OF 3 POOL B SHEET

Place Pool A Sheet above.

100+ KG

Alef, Derek
United States
2

Schlittler, Joao Gabriel
Brazil
10

Schlittler

Driscoll, Conor
United States
6

Schlittler

Ossolinski, Dawid
Poland
14

Ossolinski

Ohkawa, Yasutaka
Japan
4

Pool B

Schlittler

Mancuso, Vinnie
United States
12

OHKAWA

Turner, Anthony
United States
8

OHKAWA

TURNER

BYE

Round 1 (R1)

Round 2 (R2)
Quarter-Final

Round 3 (R3)
Semi-Final

Round 4 (R4)
Final

23 B1
11

29 18

24 B2
12

100 + KG

LEONHARDT, JONATHAN

A1R1

USA
GENIN, JULIAN (32)B

LEONHARDT, JONATHAN

A1R2

FRANCE

(31)19

MCCORMICK
USA

PICKLO, BRIAN
USA

(33)A
MCCORMICK, DANIEL
USA

MCCORMICK, DANIEL

OHKAWA, YASUTAKA
Loser of Pool B
JAPAN

OHKAWA, YASUTAKA
3rd Place
JAPAN

B1R1

USA

ALEF, DEREK
(34)5A
OSSOLINSKI, DAWID
POLAND

ALEF, DEREK

B1R2

POLAND

(40)20

TURNER

B2R1

USA

MANCUSO, VINNIE
(34)B
TURNER, ANTHONY

TURNER, ANTHONY

GRAMS, EDUARD
Loser of Pool A
GER

TURNER, ANTHONY
3rd Place
USA

B2R2

USA

TURNER, ANTHONY
USA

MATZ

NEW YORK OPEN 2008
New York Athletic Club, New York City

3/9/2208

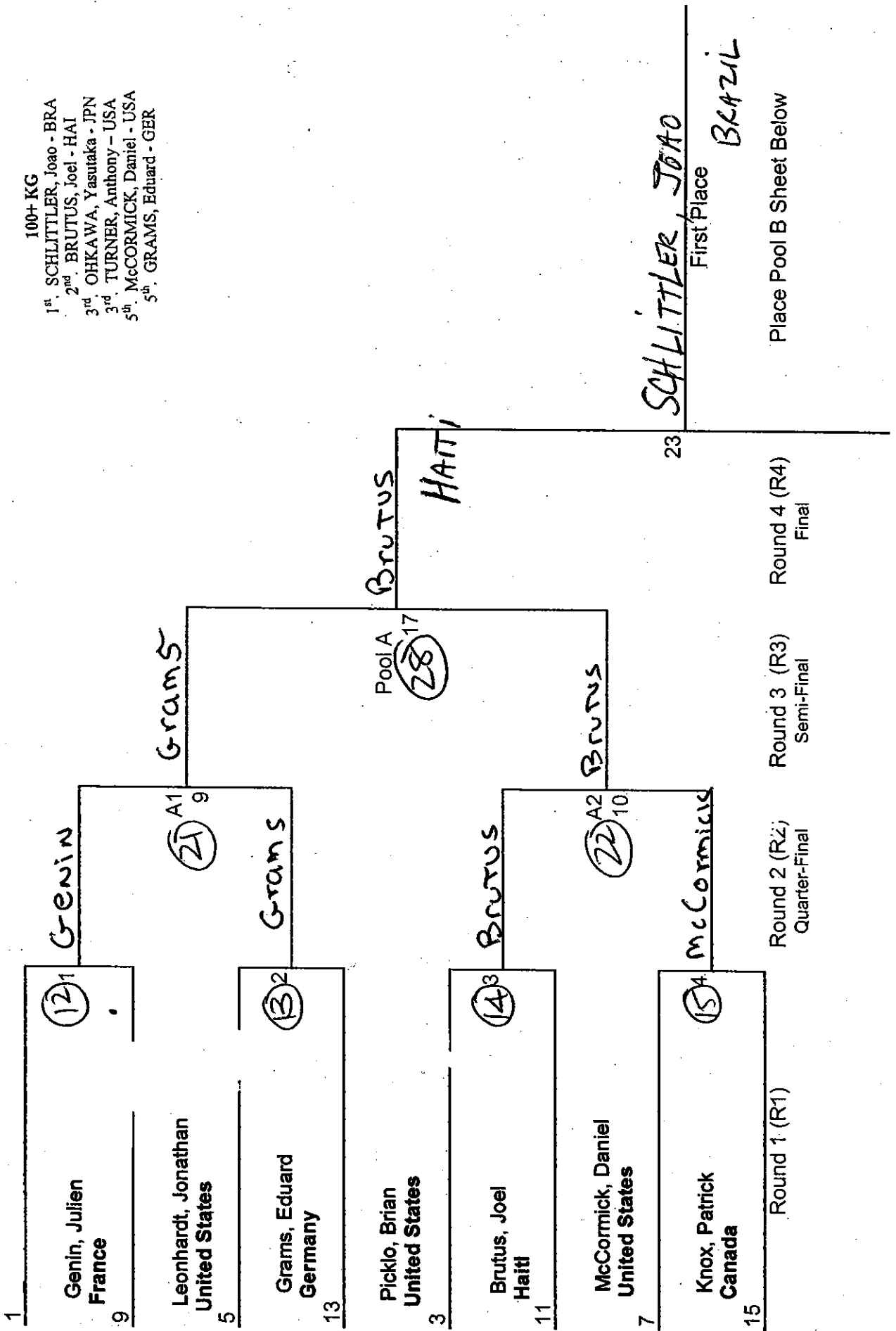
100+ KG

PAGE 1 OF 3 POOL A SHEET

Staniszewski, Mark
United States

Place Winners

- 100+ KG
- 1st. SCHLITTLER, Joao - BRA
- 2nd. BRUTUS, Joel - HAI
- 3rd. OHKAWA, Yasutaka - JPN
- 3rd. TURNER, Anthony - USA
- 5th. McCORMICK, Daniel - USA
- 5th. GRAMS, Eduard - GER



Place Pool B Sheet Below

Round 4 (R4)
Final

Round 3 (R3)
Semi-Final

Round 2 (R2)
Quarter-Final

Round 1 (R1)